

INSTALLATION GUIDE

Poise Adjustable Floor Lamp

Thoughtful lighting, responsibly designed in London.

Thank you for making the switch to Tala.
Discover the full Tala family at us.tala.co.uk

BEFORE STARTING

Please read instructions thoroughly before installation and keep them for future reference. Please take extreme care when dealing with electrical equipment.

WARNING

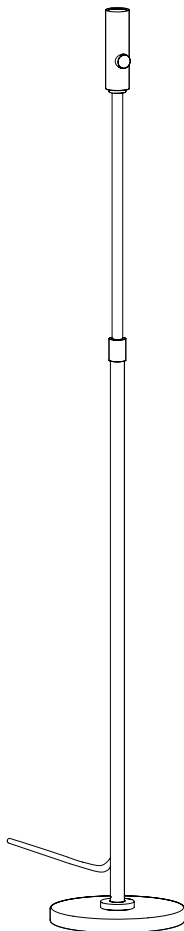
Bulbs must be installed in fixture before turning on.
Ensure power is turned OFF before inserting plug.

CARE AND CLEANING

We recommend cleaning with a soft dry cloth. Do not use abrasive materials as these will damage the finish of the product. Do not use alcohol or other solvents.



Scan me for more
technical help

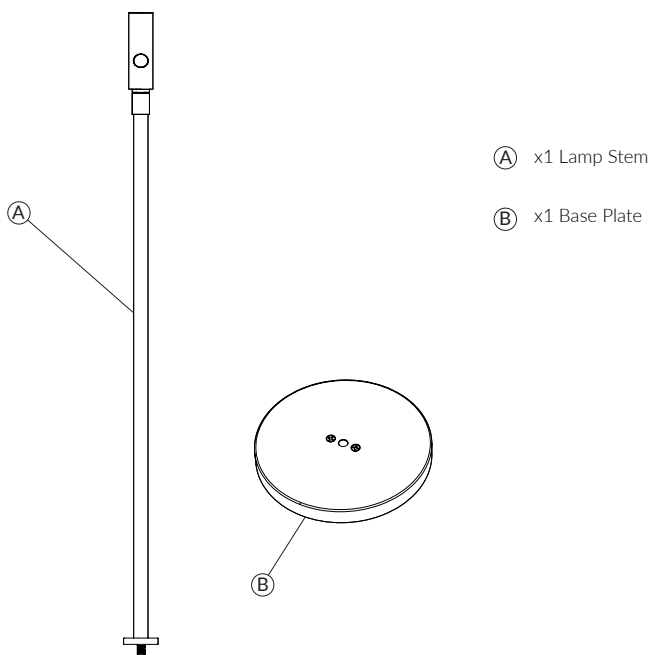


SKU - BRAS-FL-01-US
SKU - NICK-FL-01-US

SKU - GRAP-FL-01-US



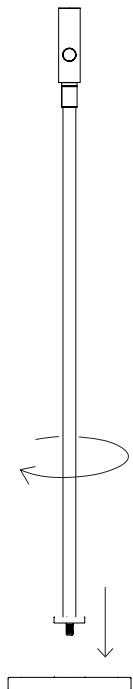
POISE ADJUSTABLE FLOOR LAMP - PROVIDED COMPONENTS

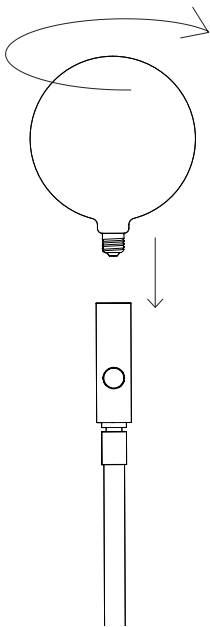


STEP 1

Place the base on the floor.
Screw the Lamp Stem (A) into the centre of the Base Plate (B) turning clockwise until tight.

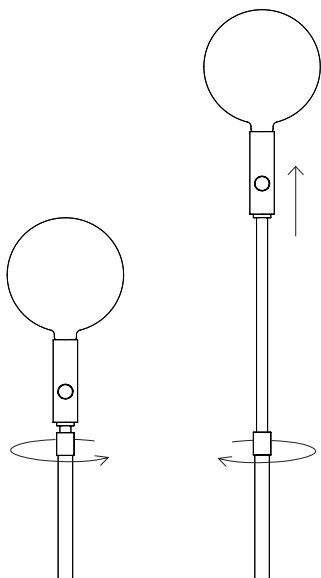
Be careful not to tangle the cable around the stem.





STEP 2

Insert the bulb into the top of the Lamp Stem (A) and rotate clockwise until tight.



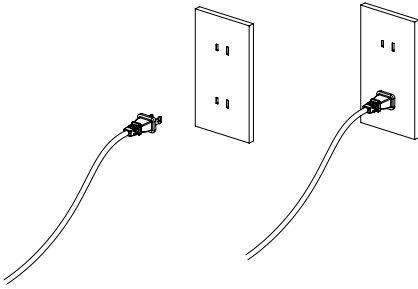
STEP 3

To adjust the height, loosen the central clutch by turning the handle anti-clockwise and gently slide the top half of the pole up or down until it reaches your desired height.

Turn the clutch clockwise to tighten.

STEP 5

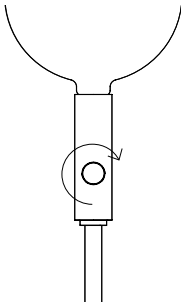
Insert the plug into your chosen wall socket.



STEP 6

To turn on, rotate the dial on the top of the lamp until the bulb lights up.

Adjust the dimmer for your desired light output.



WARRANTY AND AFTER-CARE

This product has a two-year warranty. If there appears to be a functional defect with the product during this time, please contact our team at customerservice@tala.co.uk.

Please note, the flexible cable attached to this luminaire cannot be replaced; if the cable is damaged, recycle the luminaire and seek a replacement.

REGISTER YOUR PRODUCT

Extend your warranty on this product to up to five years - free of charge. Scan the QR code below to register:



Join the Community

hello@tala.co.uk | Instagram: @tala | Facebook: talaHQ | Pinterest: TalaLED | Tag: lighttoliveby
Tala North America, Inc. P.O. Box 89, 1051 Port Washington Blvd. Port Washington,
NY 11050